

Requesting Engineer: Selda Heaven

Approved by: [Signature]

Date: 3-17-04

Date: 3-18-04

STEREO IMPACT SEP TOP LVPS FM1 REWORK INSTRUCTIONS

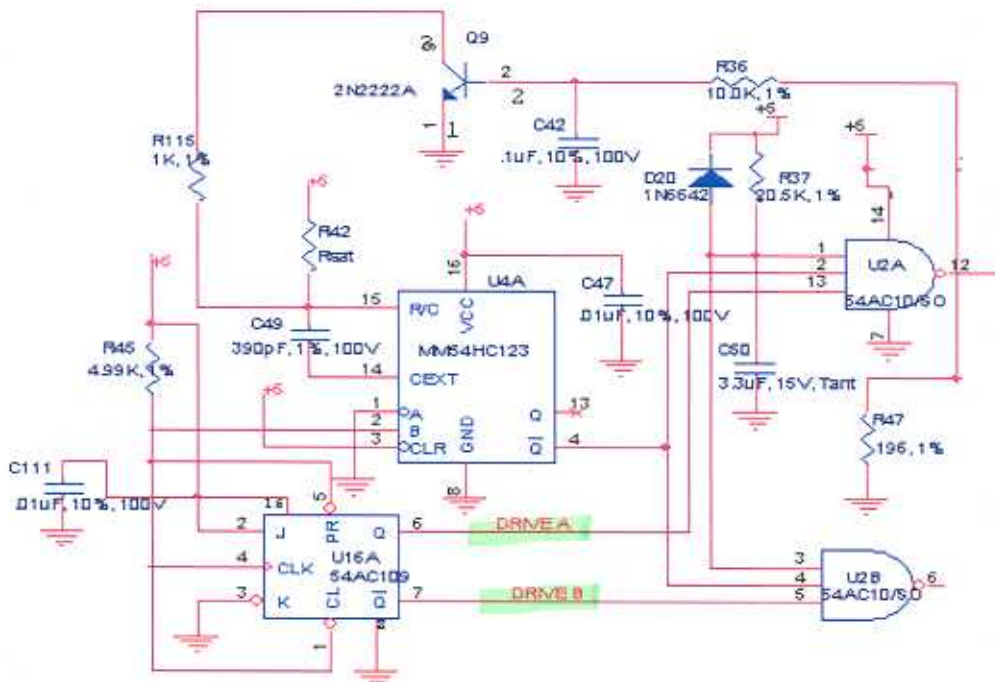
SEP TOP board has a short between U16 Pin 6 and U16 Pin 10 due to schematic generating software error where two separate signal lines were named the same. In order to separate the signals, four traces need to be cut.

1. Separate Drive A and Drive B Signal

- 1) Cut the trace between U16 pin 6 and U16 pin 10. (See Layout Figure 1)
Completed by _____ Date _____
- 2) Cut the trace between U29 Pin 9 to the via (See Layout Figure 2)
Completed by _____ Date _____
- 3) Epoxy the traces that were cut.
Completed by _____ Date _____
- 4) Replace any parts that needed to be removed in order to cut the traces. Record the reference designator and the new date code below.

Reference Designator: _____ D/C _____
 Reference Designator: _____ D/C _____
 Reference Designator: _____ D/C _____
 Reference Designator: _____ D/C _____

Completed by _____ Date _____



STEREO IMPACT SEP LVPS TOP BOARD

3/17/2004

Requesting Engineer: Selda Heaven

Approved by: Patty Berg

Date: 3-17-04

Date: 3-18-04

Figure 1:

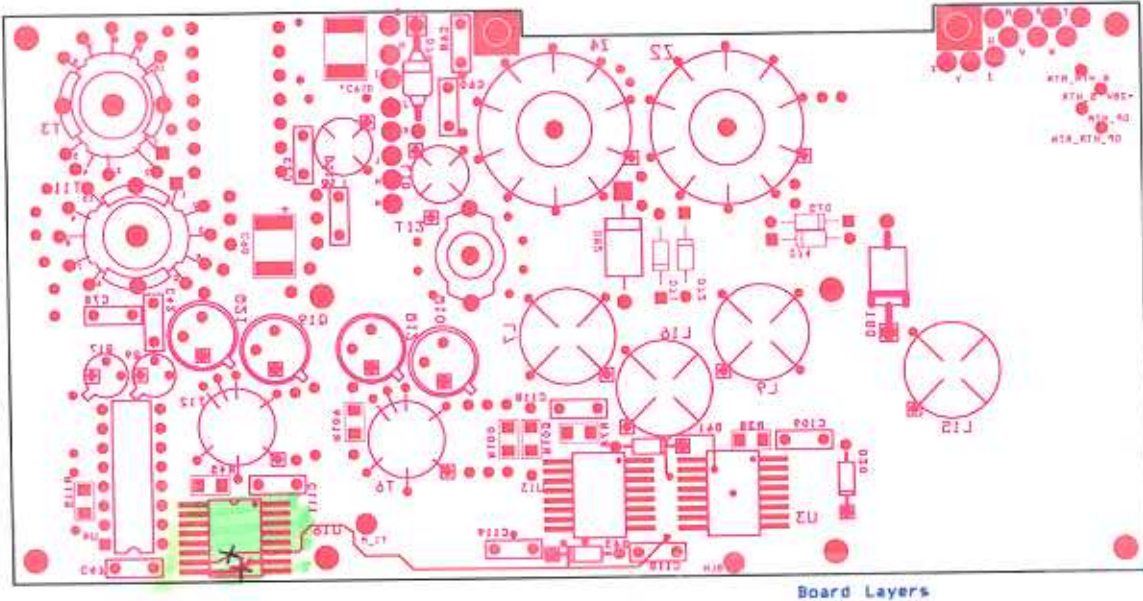
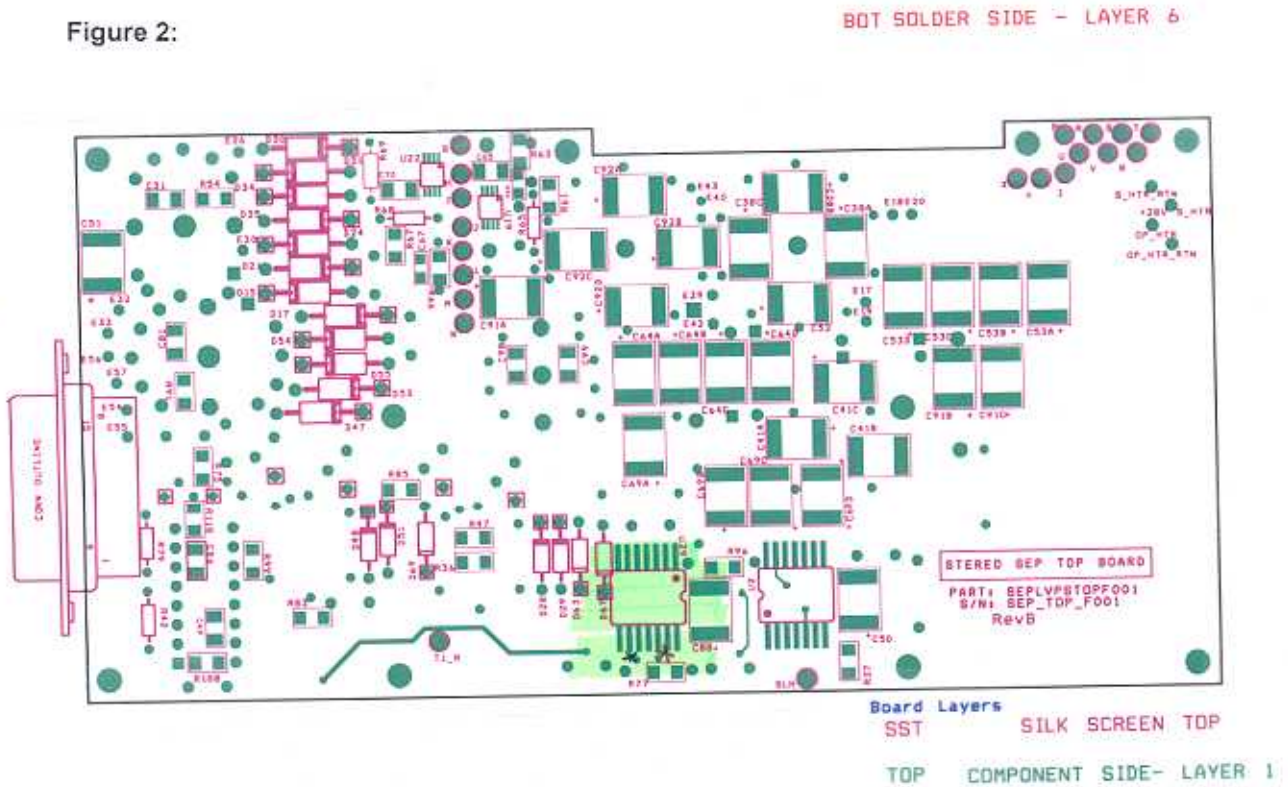


Figure 2:



STEREO IMPACT SEP LVPS TOP BOARD

3/17/2004

Requesting Engineer: Selda Heavner

Approved by: Patry 3-9

Date: 3-17-04

Date: 3-18-04

- 9) Replace any parts that needed to removed in order to cut the traces. Record the reference designator and the new date code below.

Reference Designator: _____ D/C _____

Reference Designator: _____ D/C _____

Reference Designator: _____ D/C _____

Reference Designator: _____ D/C _____

Completed by _____ Date _____

- 10) Jump U16 Pin 9 to U29 Pin 13 (Note this wire jump will be twisted with the wire between U16 pin 10 to U29 pin 9).

Completed by _____ Date _____

Approved by: David W. White

Date: 2004-3-18

Approved by: Ron Jackson

Date: 3-18-04