

UNIVERSITY OF CALIFORNIA, BERKELEY

BERKELEY • DAVIS • IRVINE • LOS ANGELES • RIVERSIDE • SAN DIEGO • SAN FRANCISCO

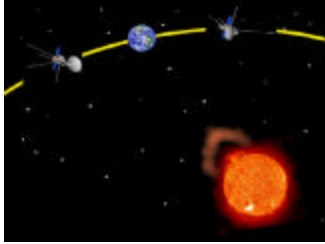


SANTA BARBARA • SANTA CRUZ

STEREO
IMPACT

LVPS STATUS

- INITIAL SCHEMATICS DRAWN
- MOST PARTS IDENTIFIED
- MANY PARTS RECEIVED FOR BREADBOARD



UNIVERSITY OF CALIFORNIA, BERKELEY

BERKELEY • DAVIS • IRVINE • LOS ANGELES • RIVERSIDE • SAN DIEGO • SAN FRANCISCO

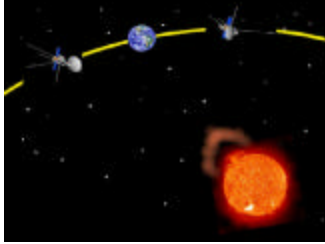


SANTA BARBARA • SANTA CRUZ

STEREO
IMPACT

PRESENT LVPS ISSUES

- PARTS SCREENING
- BREADBOARD CONSTRUCTION
- VOLTAGES AND CURRENTS
- CONNECTORS ON SIT HVPS



UNIVERSITY OF CALIFORNIA, BERKELEY

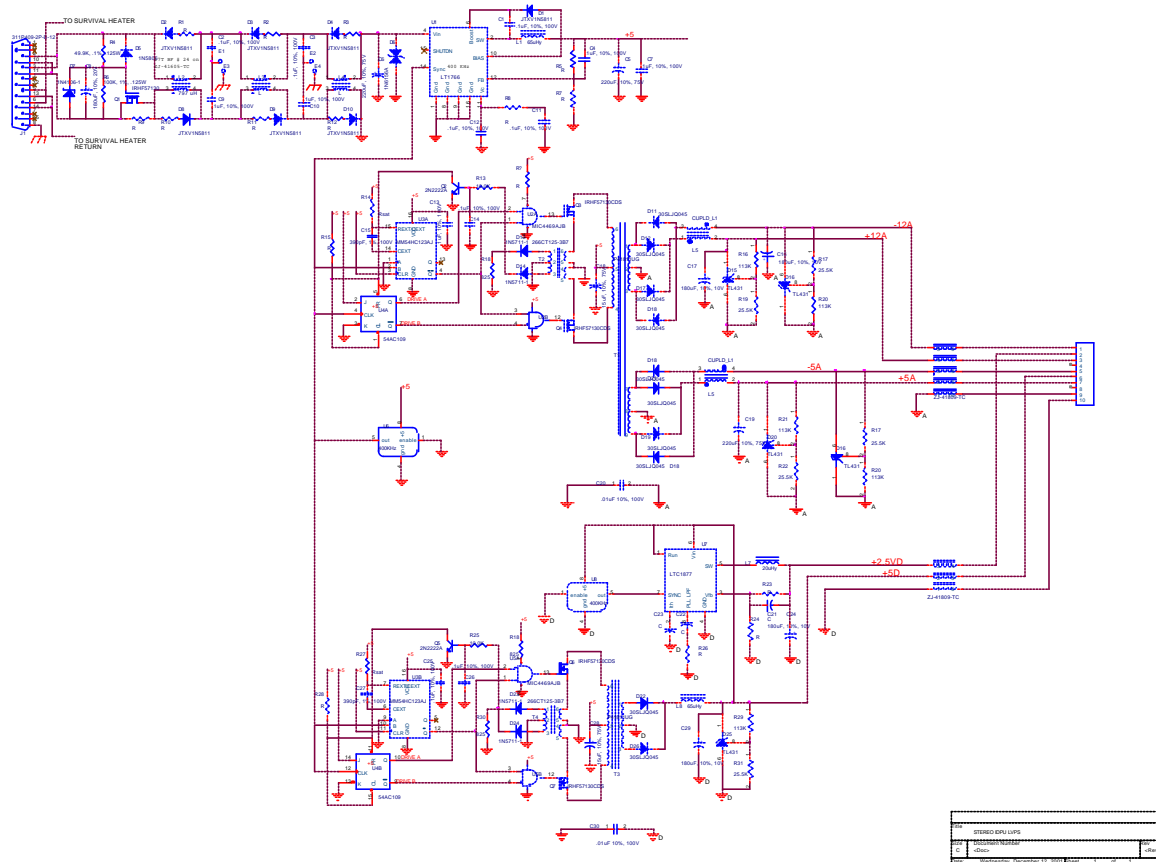
BERKELEY • DAVIS • IRVINE • LOS ANGELES • RIVERSIDE • SAN DIEGO • SAN FRANCISCO

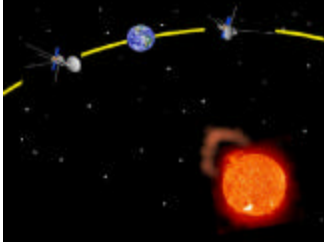


SANTA BARBARA • SANTA CRUZ

STEREO
IMPACT

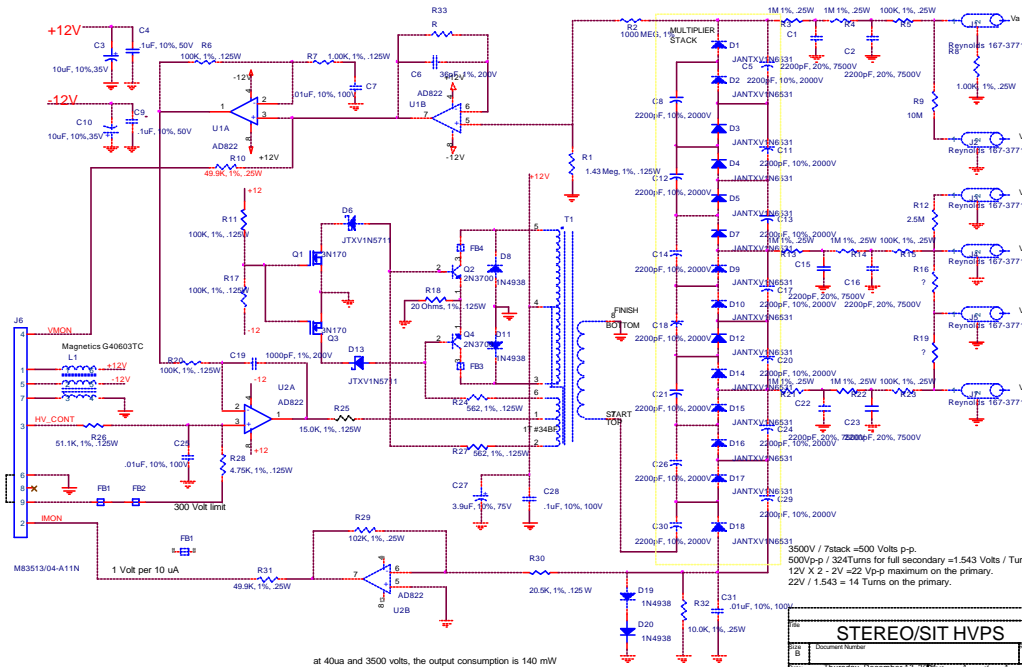
IDPU LVPS

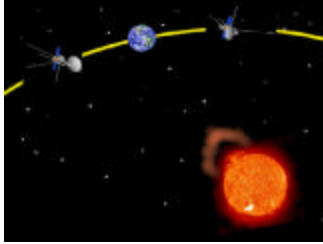




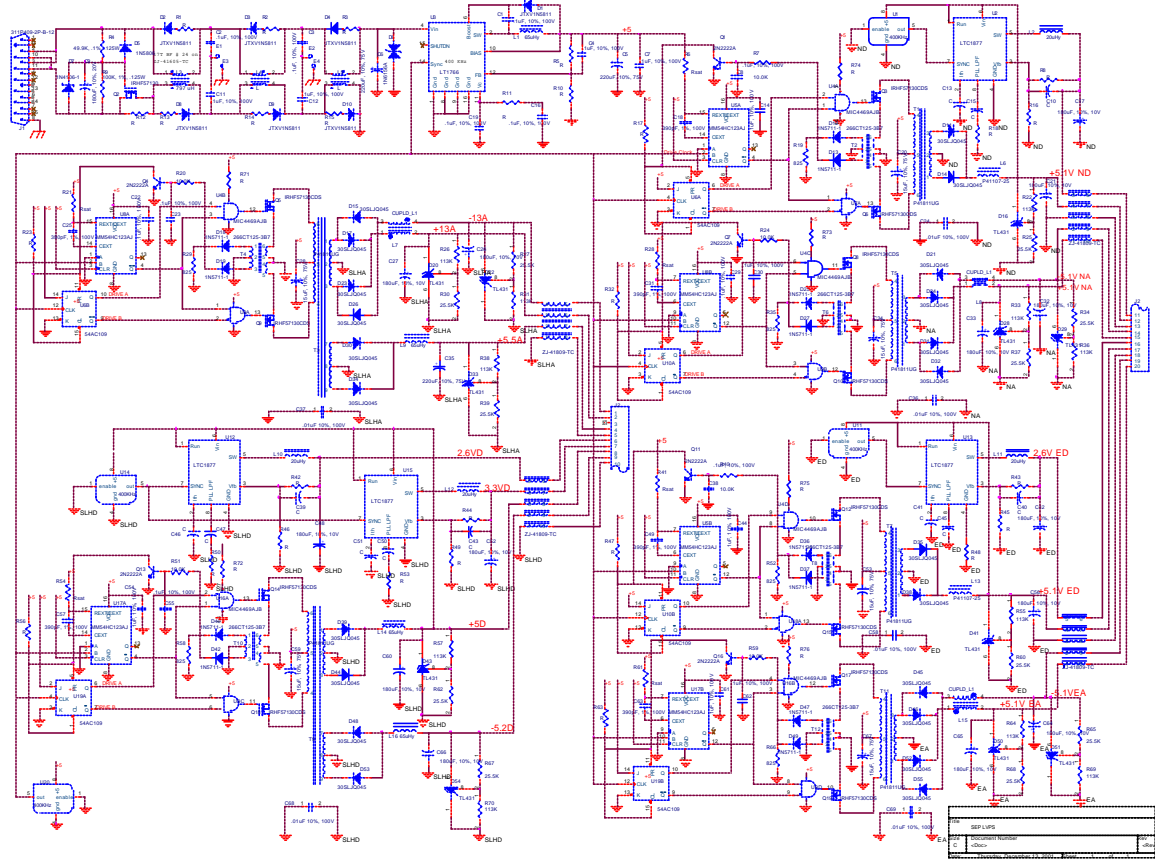
SIT HVPS

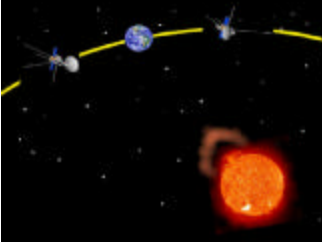
STEREO
IMPACT





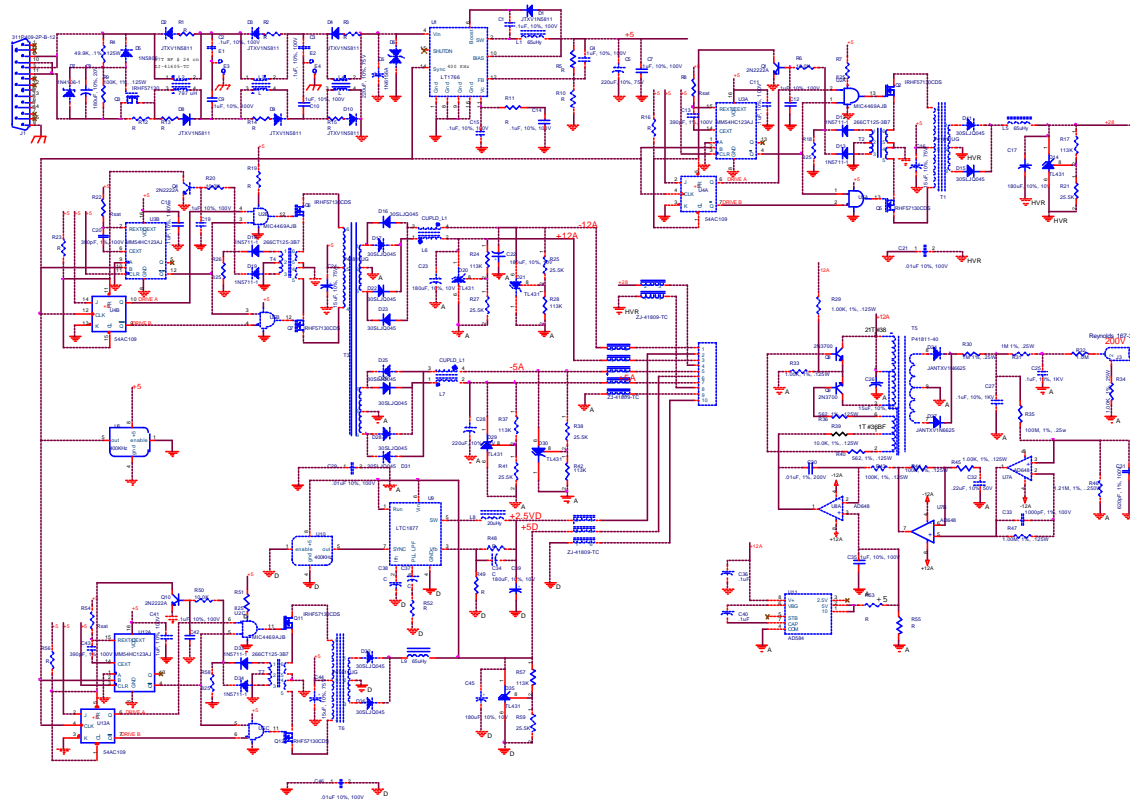
SEP LVPS



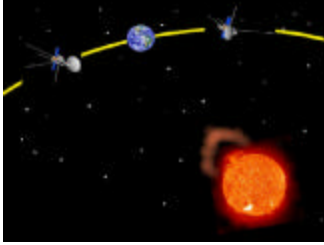


STEREO IMPACT

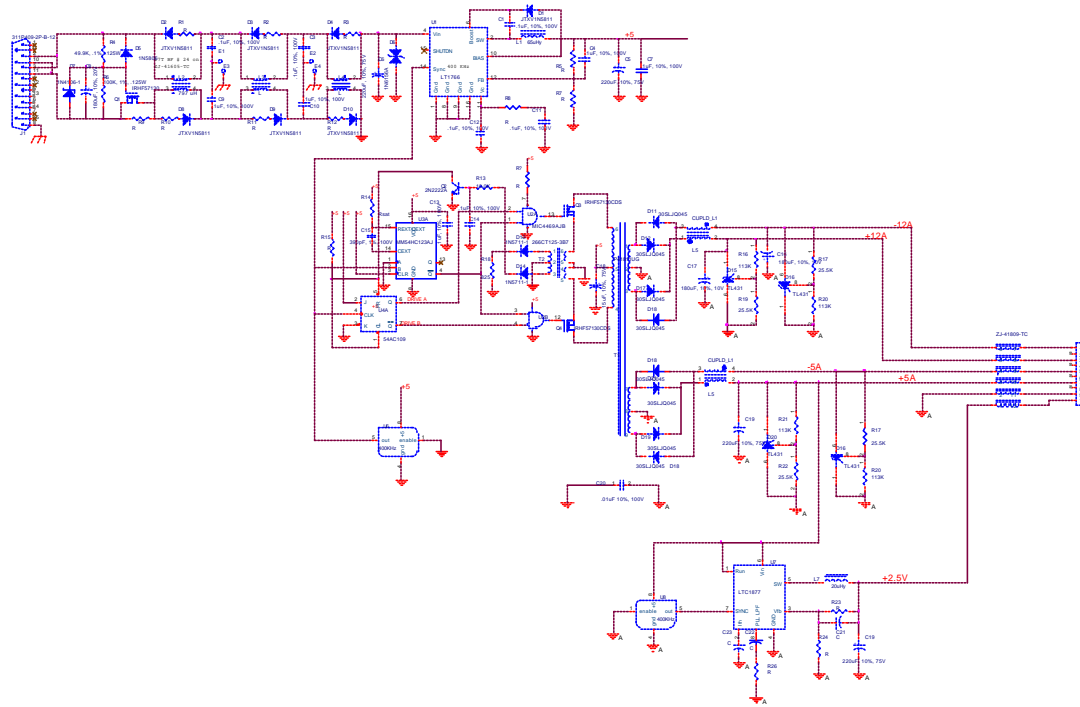
SWEA LVPS



01	STEREO SWEA - BAKLVPS
02	20000101000000
03	0000



PLASTIC LVPS VOLTAGES



1	STEREO-PLASTIC LVPS
2	REVISED: 12/2001
3	DATE